

Model: BDSL-16/BDSL-20

Stick Ladder

CLIMBING STICKS

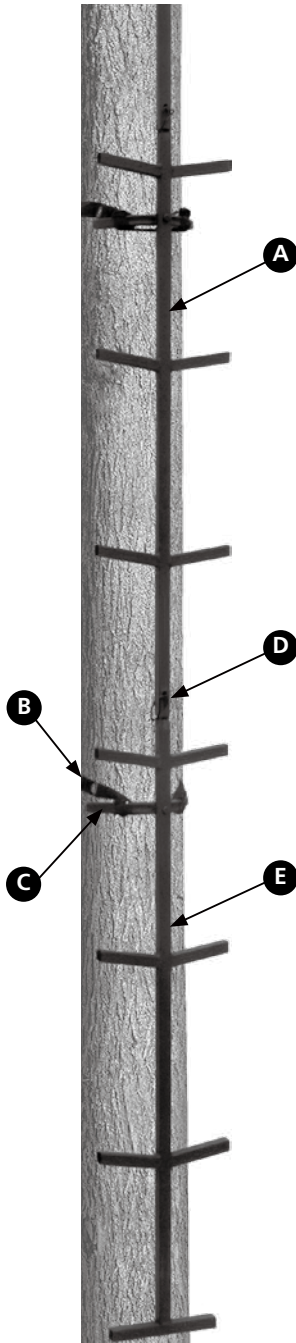
MAXIMUM WEIGHT LIMIT: 300 POUNDS



WARNING

- ALWAYS TEST/PRACTICE THIS PRODUCT AT GROUND LEVEL FIRST!
- When hunting from any treestand, falls can occur at any time which can cause serious injury or death. DO NOT use this product without a Full Body Harness (Fall Arrest System) that meets current TMA standards. NEVER be detached from the tree for any reason or at any time. Read, Understand and Follow ALL instructions and warnings prior to each use.
- Do not return this product to the retailer. Call BIG DOG TREESTANDS for replacement of any damaged or missing parts.

Inspect ALL product components for evidence of damage or wear sustained during shipping/handling/manufacturing of the product prior to assembly or use. If for any reason you are not satisfied with product or with any product component, DO NOT use until the problem has been resolved.



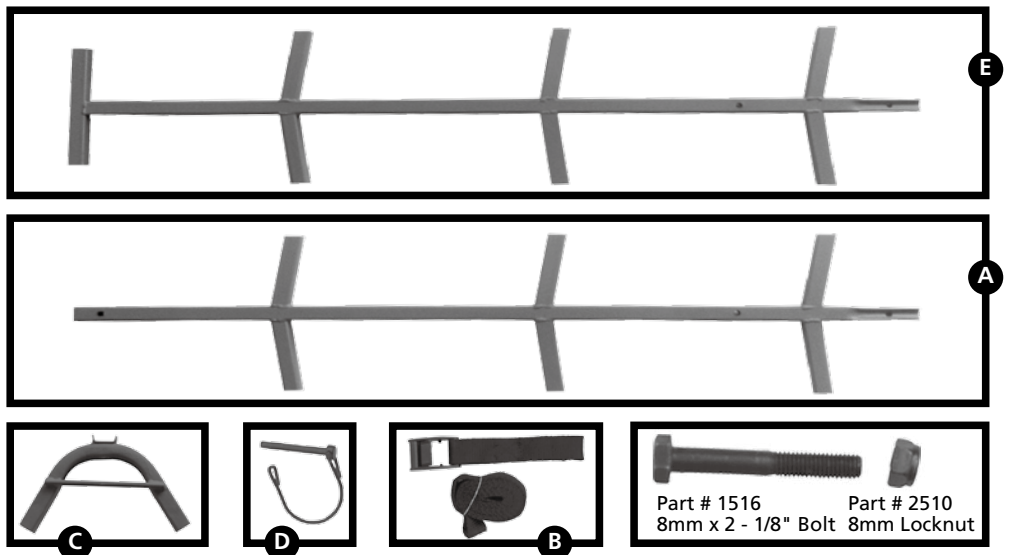
PACKING LIST: BDSL-16 (16' Stick Ladder-(4) sections total)

A	3	Stick Section	Part # SS-100
E	1	Bottom Section	Part # SL-200
B	4	Looped Stabilizing Strap	Part # BSS-225
C	4	Tree Brace	Part # TB-500
D	3	Quick Pin	Part # 8010
	4	8mm x 2 - 1/8" Bolt	Part # 1516
	4	8mm Locknut	Part # 2510

PACKING LIST: BDSL-20 (20' Stick Ladder-(5) sections total)

A	4	Stick Section	Part # SS-100
E	1	Bottom Section	Part # SL-200
B	5	Looped Stabilizing Strap	Part # BSS-225
C	5	Tree Brace	Part # TB-500
D	4	Quick Pin	Part # 8010
	5	8mm x 2 - 1/8" Bolt	Part # 1516
	5	8mm Locknut	Part # 2510

PARTS ILLUSTRATION



This product image identifies the product and the components only. Refer to instructions & warnings for proper assembly, set-up & removal of this product.

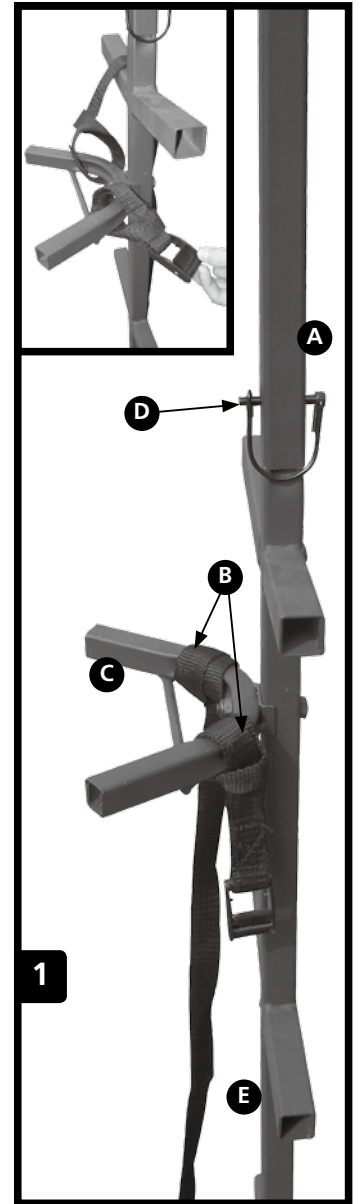
Thank you for purchasing the Stick Ladder. This instruction will tell you how to assemble and use the product. Every year hunters are seriously injured in tree stand accidents. Please carefully read and follow these instructions. For missing or damaged parts, please call customer service for fast service at 1-866-387-2002.

ASSEMBLY INSTRUCTIONS (ALL MODELS)

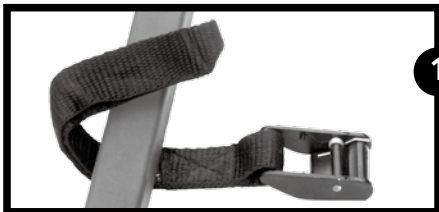
1. Insert (1) Stick Section **A** into Bottom Section **E** and secure together using (1) Quick Pin. Repeat for remaining Stick Sections (16'- 4 sections total, 20'-5 sections total).
2. Bolt Tree Brace **C** to EACH section (near the pinned joints) and secure with (1) 8mm x 2-1/8" bolt and locknut. Note: Insure the welded "U" plate on the Tree Brace is fitted correctly over the Stick Section body. Insure locknut(s) are to the inside of the tree-brace. Important: Insure the welded rod on the Tree Brace is facing DOWN. Tighten all bolts securely. (Fig. 1)

INSTRUCTIONS FOR USE (ALL MODELS)

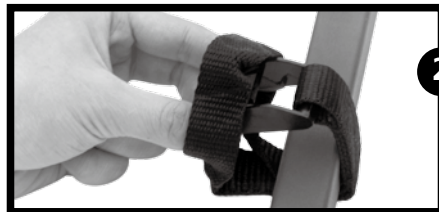
1. Use of the climbing belt of the FAS is required when installing/removing/using of the climbing stick or treestand. The climbing belt is used as means of stabilization during ascent/descent/installation of climbing sticks/Treestands.
2. Lay the pre-assembled Sick Sections so that the Tree Braces are facing upward. Next, attach the Looped Button Straps to "EACH" Tree Brace. See diagram for proper attachment and location of the Looped Button Straps (Fig. 1). Note: The looped Button straps are fastend/secured behind the welded rod on the Tree Brace. DO Not secure to the welded rod. The welded rod is to prevent the strap from sliding off the end of the brace. Next, with (3) or more people, lean stick ladder assembly against the tree. Step on the bottom of the stick ladder section until firmly seated into the ground. Next, have 2 or more people hold the stick ladder against the tree and secure the Bottom Section to the tree (located near eye level) using (1) Looped Button strap at ground level. Note: Please refer to the product diagram for location and proper attaching of Looped Straps. Secure strap firmly against the tree. Refer to Threading and attachment instructions prior to leaving the ground for proper threading and attaching of the straps. ALWAYS wear/use a climbing belt of your Fall Arrest System (FAS) at all times. Tie off all loose remaining strap ends securely.
3. Attach the climbing belt of your FAS to the tree. Next, step up the climbing stick until you reach next Tree Brace connection at eye level and secure the next Looped Button strap firmly against the tree. Note: Secure each strap connection at "Eye Level". Note: Do not lean backwards while attaching/removing/using the stick ladder assembly at any time. Tie off all loose strap ends around the tree.
4. Repeat Step#3 for remaining Tree Brace strap locations while wearing/using climbing belt of your Fall Arrest System (FAS). Important: Use of a Fall Arrest System (FAS) and climbing belt of the (FAS) is required the moment your foot leaves the ground until you are safely back to the ground. Never be detached from the tree at ANYTIME. Always place your fixed position stand BELOW the end of your climbing aide so you can safely step "DOWN" into the platform area.



Strap Attachment/Threading Instructions



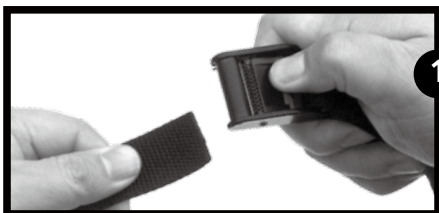
Wrap the sewn loop end of the cam buckle around the tube.



Spread the looped end open and pull the cam buckle through the sewn loop.



Pull the cam buckle tight until the strap is tight around the tube.



Push cam buckle down and insert the strap end up through cam buckle.



While holding the button down, pull the strap through the cam buckle.



Pull on the strap end until tight against the tree. Release button to secure cam buckle to the strap.

WARNING

- Always test/practice at ground level w/treestand/Climbing Sticks and FAS until comfortable with use of products.
- Use of climbing belt of the FAS required when installing/removing climbing stick or treestand. The climbing belt is used as means of stabilization during ascent/descent/installation of climbing sticks/Treestands.

CLIMBING STICK REMOVAL

1. While attached to the tree with your climbing belt of your Fall Arrest System (FAS) and at eye level of the upper most Tree Brace strap location, carefully un-fasten the the Looped Button strap at eye level. Note: Be careful not to lean away from the tree while standing on the climbing aide. Next, carefully and slowly step down until you reach the next Tree Brace connection strap at eye level and un-fasten the Looped Button strap. Repeat until safely back to the ground. NOTE: Have (2) or more people hold the Climbing Stick against the tree to prevent any movement in the climbing stick while trying to remove from the tree.
2. With (2) or more people, carefully lower the climbing stick slowly to the ground. Do not stand in the direct path of the climbing stick . Do not allow the climbing stick to slam against the ground.

SAFETY WARNINGS

Please Read/Understand/Follow ALL Safety Warnings & Instructions prior to each use!!

WARNING

- Read/Understand/Follow ALL Instructions and Warnings Pages thoroughly before using your TMA approved Fall Arrest System (FAS), treestand, ratchet/stabilizing straps/ropes and climbing devices prior to each use. Replace suspected or damaged components with only factory authorized parts and components. Discontinue use if any part of your treestand/FAS shows weathering, damage or wear.
- Proper Threading/Location/Fastening/Tightening of ALL straps and cables is CRITICAL. Insure all straps/cables/hardware are located/fastened properly and are free of ANY damage/wear/weathering/deterioration prior to each use.
- ALWAYS inspect/check ALL expiration dates/tags on all straps/FAS prior to each use. You must replace ALL straps (ratchet, cinch, button, stabilizing straps/ropes, etc) and suspension seats EVERY year. Never use any strap(s) or FAS that has expired or showing any damage or wear. Replace all hardware/cables/nuts/bolts/clips on your tree stand every (2) years or sooner if inspection finds it necessary. Use only Big Dog replacement straps and parts. Any other straps or parts will be viewed as a modification to the product. Any modification will void the warranties and relieve Big Dog Treestands Inc. from all liabilities.
- NEVER Leave any treestand attached to any tree more than (2) two weeks. Tree growth will stress the straps to the point of a possible failure that could result in serious bodily injury or death.
- It is required that you oil/lubricate or apply a protective sealant to ALL hardware prior to each use or as needed to prevent corrosion of the hardware due to weathering. WARNING: Keep all lubricants and spray lubricants free and clear of ALL straps.
- Failure to use a TMA approved Fall Arrest System (FAS) at ALL times could result in serious bodily injury or death. Insure ALL contact points of the treestands and FAS are in contact with the tree at all times and are secured properly before climbing onto the platform or before leaving the ground.
- ALWAYS wear a TMA approved Fall Arrest System (FAS) properly attached to the tree from the time you leave the ground until the time you return to the ground. Keep the tether strap between you and the tree as short as possible to reduce the distance in the event a fall would occur. Keep the linesman strap tight around the tree while you ascend or descend from the tree. Insure the FAS tether strap is tight while in a seated position.
- ALWAYS Practice your Recovery/Rescue/Relief plan with your (FAS) at ground level prior to each use. Insure a Recovery/Rescue/Relief plan has been practiced and in place prior to each time when hunting in a elevated position. If plan is not in place or practiced, hunt from the ground!!
- NEVER leave the ground without properly wearing your TMA approved FAS harness and being properly attached to the tree from the time you leave the ground until you return to the ground. Failure to wear FAS or if FAS is not attached to the tree properly could result in serious injury or death. If FAS is not present, do not leave the ground. Single safety belts straps and chest harnesses ARE NO LONGER ALLOWED AND SHOULD NEVER BE USED.
- NEVER stand on the Seat/Footrest or lean against the shooting rail/arm-rests or rely on any branches for support while climbing to or from any treestand. Never stand or apply all body weight to the seat platform area while securing or removing any Ladder stand or fixed position. WARNING: All criss-cross ropes/straps and the adjustable support bar assembly must be attached & secured from the treestand to the tree at All times while securing or removing the Platform Ratchet straps to or from the tree.

ALWAYS

- Insure that your Fall Arrest System (FAS), treestand, tree straps and climbing devices are all in good working order without defects, wear, broken or missing parts prior each use. This inspection includes the following prior to each use: Retightening all hardware, inspection of all components made of metallic and non-metallic material which includes straps/ropes/seats/FAS/treestand for excessive wear or damage prior to using ANY product.
- Test/practice at ground level w/treestand and FAS until comfortable with safe/proper use of the both products prior to each use.
- Use a hoist system or hook system to temporarily suspend or hold the fixed position treestand to the tree until it can be properly secured to the tree.
- Step down into the center of the platform from your climbing aide while attached to the tree with your FAS by either the tether strap or linemans strap. Position your fixed position stand below the end of your climbing aide to allow you to step down safely into the center of the platform.

ALWAYS

- ALWAYS use a haul line to raise/lower treestand while attached to tree w/climbing belt or tether strap of the FAS.
- Store your Fall Arrest System (FAS), treestand, straps/ropes, complete set of instructions/warnings and all climbing devices in a cool/dry location away from sun light, weathering, sharp objects or any type of wildlife. NOTE: Wildlife may chew on straps/seats while the stand is not in use and may cause serious damage. Check ALL straps and seats prior to each use. Always review all warnings/instructions annually and prior to each use of the products.
- Hunt with a friend/partner to insure that someone knows your hunting location as well as the time you are due to return home or to camp. Practice a safe recovery/rescue/relief plan with your FAS and treestand at ground level prior to each use.
- Before each use, insure that all ladder sections are secured/pinned together, all straps and ropes are free of damage or wear, ground beneath the ladder or foot pads is firm and level, adjustable support bar is attached and secured properly to the tree and the criss-cross ropes are secured properly before each use. Do not use if sections are separated or if there is any visible wear or damage present on treestand, straps, ropes or FAS.
- Take your time and move slowly at all times while you are using, climbing to, or descending from your treestand. Use 3 Point Climbing Technique while ascending to or descending from this product while using your Fall Arrest System (FAS) at all times. Never lean backwards while climbing.
- Use (3) or more people to set-up or to remove of any treestand unless instructed to have more people present. Use a min. 12" diameter straight/healthy tree on ALL treestands.
- Use a hoist line to pull fixed position stand(s) up to the desired height below the end of the climbing aide while attached to the tree with climbing belt or tether strap of your FAS.
- Understand the intended use for the treestand/FAS and adhere to all instructions/warnings which pertain to the safe use of Big Dog Treestands products.
- Have a cell phone, walkie-talkie, two-way radio, GPS locator or whistle on your person at all times for emergency purposes and ALWAYS inform someone of your hunting location and return time in the event of an emergency. Always practice/review your rescue/recover/relief plan prior to each use.
- There is time to make a correct decision on what action to take if a fall occurs while wearing a full body harness. It is important to remember, "DO NOT PANIC". Remain calm and implement your practiced/reviewed rescue, relief and recovery plan.

NEVER

- Climb with your weapon. Ensure that the firearm/bow is unloaded with its barrel pointed toward the ground when raising or lowering to your stand. Always use a safe hoist/lift system on the opposite side of the tree from which you climbed while attached safely to the tree with your FAS to pull up your firearm or bow.
- Climb with anything on your back/waist/or side that will restrict your movement or will interfere with safely using your FAS harness or treestand.
- Exceed the manufacturer's total weight limit of the treestand or FAS which includes your body weight plus the weight of your clothing & gear.
- Adjust ANY straps/cables/ropes/adjustable support bars while standing on or leaning against any treestand. DO NOT use any treestand if there is any damage, wear, or excessive corrosion on any part of the treestand or FAS. NEVER USE or CLIMB any treestand without the adjustable support bar assembly and criss-cross straps or ropes secured to the tree.
- Use this product if you are under the influence of alcohol, mind-altering drugs, prescription medicine, cold or flu medications, have heart problems or conditions, dizzy or have dizzy spells, sleepy or tired, afraid of heights, physically/mentally impaired to use product properly/safely, feeling ill, nauseous, if Fall Arrest System is not present, or if you have a prior medical condition that could cause a problem i.e, heart condition, joints that lock-up, spinal fusions, etc or if you are not well rested. Do not use ANY product without consent from your medical doctor for safe and proper use of the treestand or Fall Arrest System.
- Modify your stand in any way by repairs, replacing parts, or alternating or adding attachments to without explicitly authorized in writing by manufacturer.
- Replace parts/add attachments/make any adjustments/make repairs unless the product is at GROUND LEVEL only.
- Exceed/modify the suggested manufactures hunting height or weight limit for any product.
- Use any treestand during thunderstorm/rain/sleet/snow storms or any other adverse weather conditions that have the potential to produce lightning, high winds or if snow/ice/water is present on the platform or climbing steps. If any of these conditions arise, end your hunt and return the ground.
- Use a tree stand for any purpose other than hunting. Do not use on utility poles or any other man made structures.
- Jump, bounce, lean-out from, lean against shooting rails or SLEEP in any treestand for any reason or at any time.
- Loan or let anyone use the treestand or FAS Harness without reading/understanding all product instructions/warnings of the product(s). If sold, a complete set of instructions/warnings must be given to purchaser. It is responsibility of the treestand/FAS owner to insure the borrower or buyer furnishes a complete set of instructions and safety warnings.
- Make any modifications/alterations to this product without written consent. Any/All modifications/alterations will void all warranties and relieve Big Dog Treestands Inc. from all liabilities.