

Model: BDDC-200

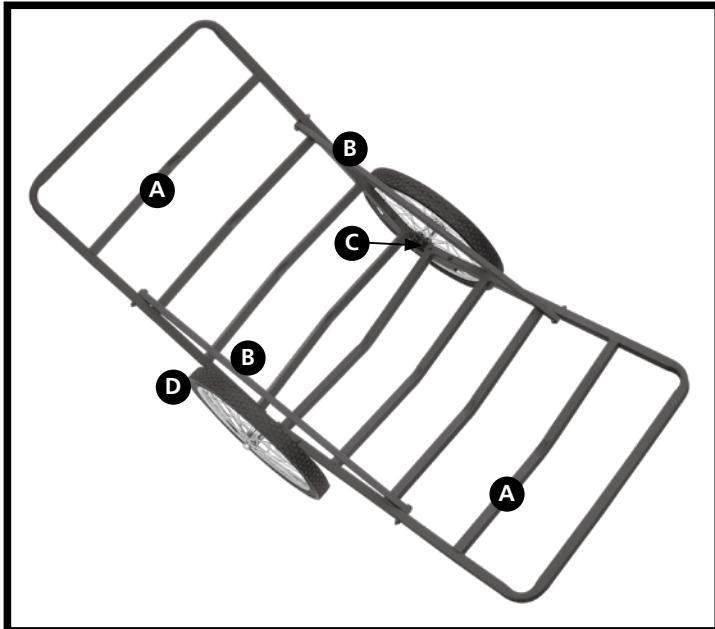
Deer Cart

Hunting Accessory



WARNING

- **DO NOT USE THIS PRODUCT WITH ANY TYPE OF MOTORIZED VEHICLE.**
- Please do not return this product to the retailer. Call **BIG DOG TREESTANDS** toll free (1-866-387-2002) for quick replacement of any damaged or missing parts.



Please inspect the shipping carton for evidence of damage or that it may have been opened before you received it. Then inspect your product carefully. Compare it to the image on the product label and the picture illustration in your instructions. You must check and tighten all bolts before each use. If for any reason you are not satisfied with the product, do not use it until the problem is solved or corrected.

PACKING LIST:

A	2	Frame	Part # DCF-200
B	2	Support Bar	Part # DCFB-100
C	2	Axle/Frame Connector	Part # DCFC-200
D	2	20" Wheel	Part # DCW-200
	8	8mm x 2 - 3/8" Bolt	Part # 1517
	4	8mm x 2 - 1/8" Bolt	Part # 1516
	12	8mm Locknut	Part # 2510
	2	12mm Locknut	Part # 2520
	2	16mm metal washer	Part # 2532

ASSEMBLY INSTRUCTIONS

1. Place (1) Frame/Axle Connector (Item C) to each **BOTTOM** sides of the Frame(s) (Item A) so that the Axle end(s) are facing outward. Secure using (4) 8mm x 2-3/8" bolts and locknuts on each side. **(Fig. 1)**
2. Attach Support Bar(s) (Item B) to the **INSIDE** of BOTH Frame(s) using (2) 8mm x 2-1/8" bolts and locknuts on each side. **(Fig. 2)**
3. Insert Metal Washer and then the Wheel (Item D) over the Frame/Axle Connectors and secure using (1) 12mm locknut on each side. **(Fig. 3)**
4. Tighten all bolts securely. Careful not to over-tighten the wheel to the axle connector.

