

Model: BDSR-100

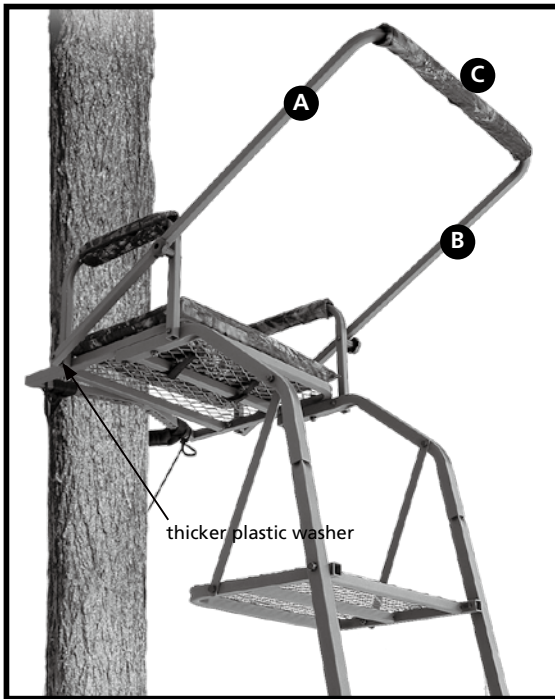
Shooting Rail

Accessory Fits BDL-100/130/300



WARNING

- When hunting from any treestand, falls can occur at any time which can cause serious injury or death. ALWAYS use a Fall Arrest System (FAS) at all times prior to leaving the ground. NEVER be detached from the tree for any reason or at any time.
- Please do not return this product to the retailer. Call BIG DOG TREESTANDS toll free (1-866-387-2002) for quick replacement of any damaged or missing parts.



BDL-100/130 Shown

Please inspect the shipping carton for evidence of damage or that it may have been opened before you received it. Then inspect your product carefully. Compare it to the image on the product label and the picture illustration in your instructions. You must check and tighten all bolts before each use. If for any reason you are not satisfied with the product, do not use it until the problem is solved or corrected.

PACKING LIST:

A	1	Left Shooting Rail	Part # LSR-300
B	1	Right Shooting Rail	Part # RSR-300
C	1	Shooting Rail Foam Pad	Part # SRF-300
	2	6mm x 3 - 1/8" Bolt	Part # 1021
	2	6mm x 2" Bolt	Part # 1015
	1	6mm x 1 - 1/8" Bolt	Part # 1011
	3	6mm Locknut	Part # 2010
	2	6mm Long Quick Connector	Part # 7020
	2	Thicker Plastic Washer	Part # 4510

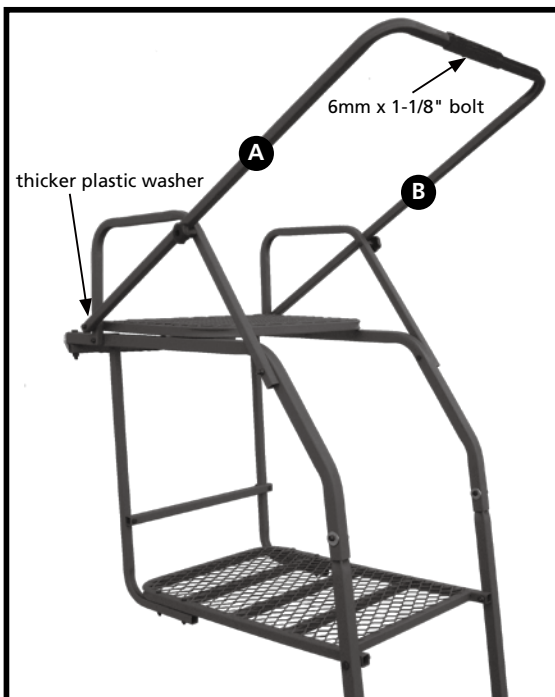
ASSEMBLY INSTRUCTIONS

Note: Removing this product from the tree to ground level is required before attaching/adding any accessory items. Obtain/read/understand all warnings/instructions for the treestand before adding any accessory items to the product.

1. Bolt the left shooting rail and right shooting rail together using (1) 6mm x 1-1/8" bolt and locknut.
2. Bolt through the seat to the armrest with a thicker plastic washer in the middle. Note: The BDL-300 should have a thicker plastic between the armrest and the seat come with BDL-300. Then go through the shooting rail using one 6mm x 3-1/8" bolt and secure with 6mm locknut. Repeat the opposite side to assemble the right shooting rail to the armrest and the seat.
3. Bolt (2) 6mm long quick connector to the arm rests from out side using (2) 6mm x 2" bolt. The long quick connector is acted like a stop for the shooting rail.
4. Check all bolts on the stand and tighten securely. Replace any suspected, damaged, or worn bolts/straps/components.
5. Place foam pad to the shooting rail assembly.

WARNING

- Proper threading of straps is critical. Insure all straps are properly threaded and free of damage/wear prior to each use.
- Replace ALL straps (ratchet/button/stabilizing) annually and ALL Hardware (bolts/nuts/cables) every (2) years. Use only Big Dog Treestands certified replacement parts/components, all others are viewed as a modification to the product. Frequently lubricate all hardware/parts or as needed.
- Insure ALL contact points of the treestand/FAS are in contact/secured with the tree before climbing onto the platform. Always test/practice at ground level w/ treestand and FAS until comfortable with use of the product.
- Inspect/insure ground under bottom ladder section is firm/level and all sections are connected/pinned together and the adjustable support bar is secured properly prior to each use and prior to leaving the ground. Do not use if sections are seperated.
- Replace all straps/ropes each time this product is removed from the tree or at least annually. Do not leave this product attached to any tree for more than (2) weeks due to tree growth.



BDL-300 Shown

Thank you for purchasing the BDSR-100. This instruction will tell you how to assemble and use the product. Every year hunters are seriously injured in tree stand accidents. Please carefully read and follow these instructions. For missing or damaged parts, please call customer service for fast service at 1-866-387-2002.

SAFETY WARNINGS

Please Read/Understand ALL Safety Warnings prior to each use and always practice at ground level First!

ALWAYS

- Read and Understand ALL instructions and warning pages thoroughly before using your Fall Arrest System (FAS), treestand, ratchet/stabilizing straps/ropes and climbing devices prior to each use. Replace suspected or damaged components with only factory authorized parts and components. Discontinue use if any part of your product/FAS shows weathering or wear. ALWAYS inspect/check ALL expiration dates/tags on all straps/FAS prior to each use.
- Practice using the treestand and FAS at ground level until comfortable with safe/proper use of both products prior to each use.
- Insure that your Fall Arrest System (FAS), treestand, tree straps and climbing devices are in good working order without defects, wear, broken or missing parts before each use. This inspection includes the following prior to each use: Retightening all hardware, inspecting all components made of metallic and non-metallic items which includes straps/ropes/seats/FAS for excessive wear or damage before using any products.
- Always wear a Fall Arrest System properly attached to the tree from the time you leave the ground until the time you return to the ground. Keep the tether strap between you and the tree as short as possible to reduce the distance in case of a fall. Keep the linesman strap tight on the tree while you ascend or descend from the tree. The FAS tether must be tight while in a seated position.
- Practice your Recovery/Rescue/Relief plan with your (FAS) at ground level before using in an elevated position prior to each use.
- Step down into the center of the platform from your climbing aide while being attached to the tree with your FAS by either the tether strap or linemans strap. Position your fixed position stand below the end of your climbing aide to allow you to step down safely into the center of the platform.
- Store your Fall Arrest System (FAS), treestand, straps/ropes, complete set of instructions/warnings and climbing devices in a cool/dry location away from sun light, weathering, sharp objects or any type of wildlife. NOTE: Wildlife may chew on straps/seats while the stand is not in use and may cause serious damage. Check ALL straps and seats prior to each use. Review all warnings/instructions annually and prior to each use of the products.
- Hunt with a friend/partner to ensure that someone knows your hunting location as well as the time you are due to return home or to camp. Practice a safe recovery/rescue/relief plan with your FAS and treestand at ground level prior to each use.
- Before each use, insure that all ladder sections are secured/pinned together, all straps and ropes are free of damage or wear, ground beneath the ladder or foot pads is firm and level, adjustable support bar is attached and secured properly to the tree and the criss-cross ropes are secured properly before each use. Do not use if sections are separated or if there is any visible wear or damage present on treestand, straps, ropes or FAS.
- Take your time and move slowly at all times that while you are using, climbing to, or descending from your treestand. Use 3 Point Climbing Technique while ascending to or descending from this product while using your Fall Arrest System (FAS) at all times. Never lean backwards while climbing.
- Use (3) or more people to set-up or removal of any treestand unless instructed to have more people present. Use a min. 12" diameter straight/healthy tree on ALL treestands.
- Use a hoist line to pull fixed position stand(s) up to the positioning height below the end of the climbing aide while attached to the tree with climbing belt of your FAS.
- Understand the intended use for the treestand/FAS and adhere to all instructions/warnings which pertain to the safe use of Big Dog Treestands products.
- Have a cell phone, walkie-talkie, two-way radio, GPS locator or whistle on your person at all times for emergency purposes and ALWAYS inform someone of your hunting location and return time in the event of an emergency. Always practice/review your rescue/recover/relief plan prior to each use.
- There is time to make a correct decision on what action to take if a fall occurs while wearing a full body harness. It is important to remember, "DO NOT PANIC". Remain calm and implement your practiced rescue, relief and recovery plan.

NEVER

- Leave the ground without properly wearing your FAS harness and being properly attached to the tree from the time you leave the ground until you return to the ground. Failure to wear FAS or FAS not attached to the tree properly could result in serious injury or death. If FAS is not present, do not leave the ground. Single safety belts straps and chest harnesses ARE NO LONGER ALLOWED AND SHOULD NEVER BE USED.
- Climb with your weapon. Ensure that the firearm/bow is unloaded with its barrel pointed toward the ground when raising or lowering it to your stand. Always use a safe hoist/lift system on the opposite side of the tree from which you climbed while attached safely to the tree with your FAS.
- Climb with anything on your back/waist/or side that will restrict your movement or will interfere with safely using your FAS harness or treestand.
- Exceed the manufacturer's total weight limit for the product which includes your body weight plus the weight of your clothing/gear.
- Adjust ANY straps/ropes/adjustable support bars while standing on or leaning against any treestand nor use if any are not present or show damage or wear.
- Use this product if you are under the influence of alcohol, mind-altering drugs, prescription medicine, cold or flu medications, have heart problems or conditions, dizzy or have dizzy spells, sleepy or tired, afraid of heights, physically/mentally impaired to use product properly/safely, feeling ill, nauseous, if Fall Arrest System is not present, or if you have a prior medical condition that could cause a problem i.e. heart condition, joints that lock-up, spinal fusions, etc or if you are not well rested. Do not use any product without consent from your doctor for safe & proper use.
- Modify your stand in any way by repairs, replacing parts, or alternating or adding attachments to it except if explicitly authorized in writing by manufacturer.
- Replace parts/add attachments/adjust platform/make repairs unless the product is at GROUND LEVEL only.
- Exceed/modify the suggested manufacturer's hunting height for any product.
- Jump, bounce, lean-out from, lean against shooting rails or SLEEP in any treestand for any reason at any time.
- Leave any treestand attached to the tree more than (2) two weeks. Tree growth will stress the straps to the point of a possible failure that could result in serious bodily injury or death.
- Use any treestand during thunderstorm/raining/sleet/snow storms or any other adverse weather conditions that have the potential to produce lightning, high winds, or if snow/ice/water is present on the platform or climbing steps. If inclement conditions arise, end your hunt and return the ground.
- Use a tree stand for any purpose other than hunting. Do not use on utility poles or any other man made structures.
- Loan or let anyone use the treestand or FAS Harness without reading/understanding all product instructions/warnings of the product(s). If sold, a complete set of instructions/warnings must be given to purchaser. It is responsibility of the treestand/FAS owner to insure the borrower or buyer furnishes a complete set of instructions and safety warnings.
- Make any modifications/alterations to this product without written consent. Any/All modifications/alterations will void all warranties and relieve Big Dog Treestands Inc. from all liabilities.
- Climb/Use a tree that is diseased, dead, under sized, leaning, has dead/broken branches/loose bark.
- Stand on the seat/footrest/shooting rail/armrest or rely on any branches for support or means of securing or standing.

WARNING

- Failure to Read/Understand ALL Warnings and Instructions stated could result in serious bodily injury or death. Use of an approved FAS is required to be used at all times when hunting from an elevated position.
- You must replace ALL straps (ratchet, button, stabilizing straps/ropes, etc) and suspension seats EVERY year. Use only Big Dog replacement straps and parts. Any other straps or parts will be viewed as a modification to the product. Any modification will void the warranties and relieve Big Dog Treestands Inc. from all liabilities.
- ALWAYS inspect treestand/straps/cables/FAS/ if ladder sections are pinned together/ground beneath the ladder stand is firm and level/adjustable support bar is connected to the tree properly prior to each use. Do not use if ANY physical/visible damage/wear is suspected or present.
- It is recommended that you oil/lubricate ALL hardware as needed or at least annually. It is recommended that you replace all hardware/cables/nuts/bolts/clips on your tree stand every two years or sooner if inspection finds it necessary.
- Failure to use a Fall Arrest System (FAS) at ALL times could result in serious bodily injury or death.
- Insure ALL contact points of the treestands and FAS are in contact with the tree and are secured properly before climbing onto the platform or leaving the ground.
- Proper threading/tightening/fastening/location of all straps/cables are CRITICAL. Insure all straps/cables are properly attached/fastened/secured/located on the tree and are free of damage/wear/ weathering/deterioration prior to each use.
- Inspect all expiration tags on all straps and FAS prior to each use. Replace all straps annually. Replace all hardware every (2) years. Use only Big Dog Treestands certified replacement parts, all other are viewed as a modification to the product. Never use any strap(s) or FAS that has expired or showing any damage or wear.
- Always use a haul line while attached to the tree with your FAS by means of the linemans strap/ climbing belt to pull up or take down all fixed position stands.
- Insure all Tripods and Quadpods are properly staked to the ground to prevent movement in the unit in high winds. Note: It is advisable to have a certified electrician ground these unit(s) to the ground in the event of being struck by lightning.