

Model: 175-8730

Command Tower

16' TRIPOD

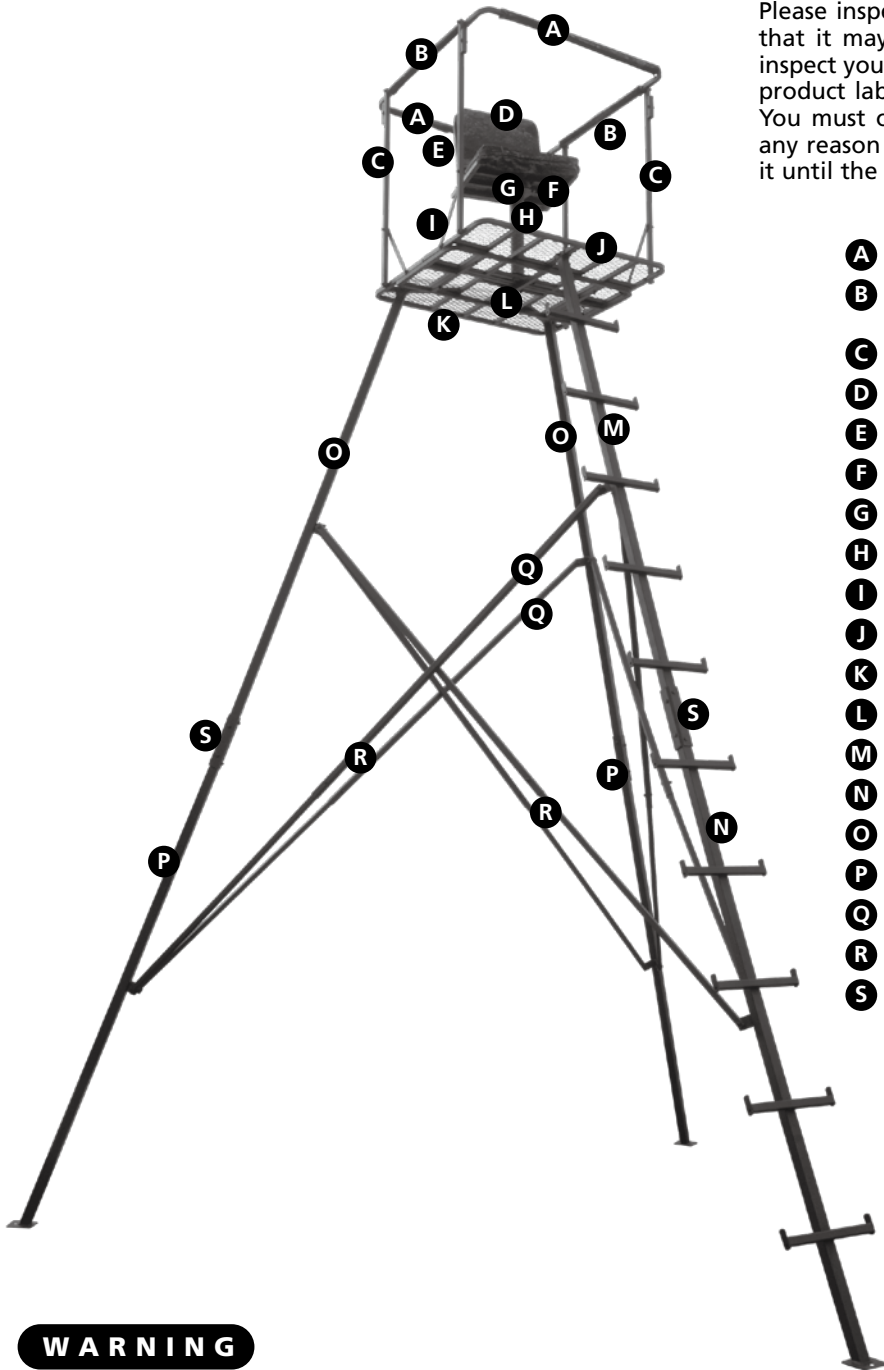
MAXIMUM WEIGHT LIMIT—300 POUNDS

Timber Strike®

TREESTANDS

WARNING

- When hunting from a treestand, falls can occur at any time which can cause injury or death.
- Please do not return this product to the Menards. Call BIG DOG TREESTANDS toll free (1-866-387-2002) for quick replacement of any damaged or missing parts.



Please inspect the shipping carton for evidence of damage or that it may have been opened before you received it. Then inspect your product carefully. Compare it to the image on the product label and the picture illustration in your instructions. You must check and tighten all bolts before each use. If for any reason you are not satisfied with the product, do not use it until the problem is solved or corrected.

PACKING LIST:

A	2	Padded Shooting Rail	Part # FSR-300
B	2	Sleeve <i>(for shooting rail connection)</i>	Part # SSR-300
C	4	Rail Support Tube	Part # SRS-200
D	1	Foam Cushion	Part # TFC-200
E	1	Back Seat	Part # TBS-300
F	1	Seat Base	Part # TSB-300
G	1	Swivel Base	Part # TSB-300
H	1	Seat Pedestal	Part # SP-300
I	4	Cross Brace	Part # CB-200
J	1	Front Foot Platform	Part # FFP-300
K	1	Rear Platform	Part # RP-300
L	1	Subframe	Part # TS-300
M	1	Top Step Leg	Part # TSL-300
N	1	Bottom Step Leg	Part # BSL-300
O	2	Top Leg	Part # TL-300
P	2	Bottom Leg	Part # BL-300
Q	6	Upper Cross Support Tube	Part # UCS-300
R	6	Lower Cross Support Tube	Part # LCS-300
S	6	Leg Link Brace	Part # LLB-200
	12	8mm x 2 - 1/8" Bolt	Part # 1516
	15	8mm x 2" Bolt	Part # 1515
	6	8mm x 1- 5/8" Bolt	Part # 1513
	26	8mm x 1- 3/8" Bolt	Part # 1512
	8	6mm x 1 - 1/8" Bolt	Part # 1011
	4	6mm x 5/8" Bolt	Part # 1009
	59	8mm Locknut	Part # 2510
	12	6mm Locknut	Part # 2010
	2	8mm Nylon Washer	Part # 4010

WARNING

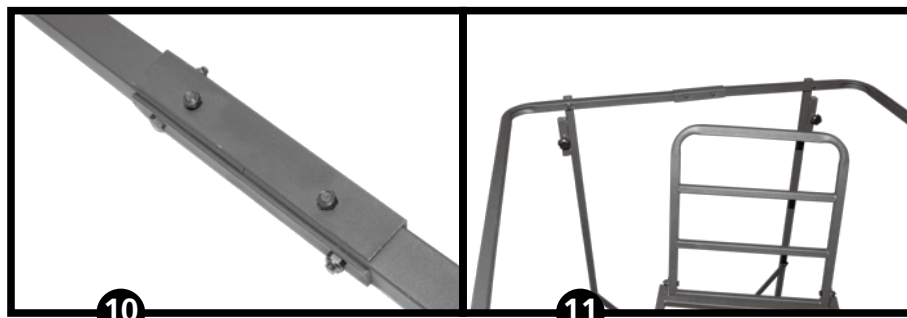
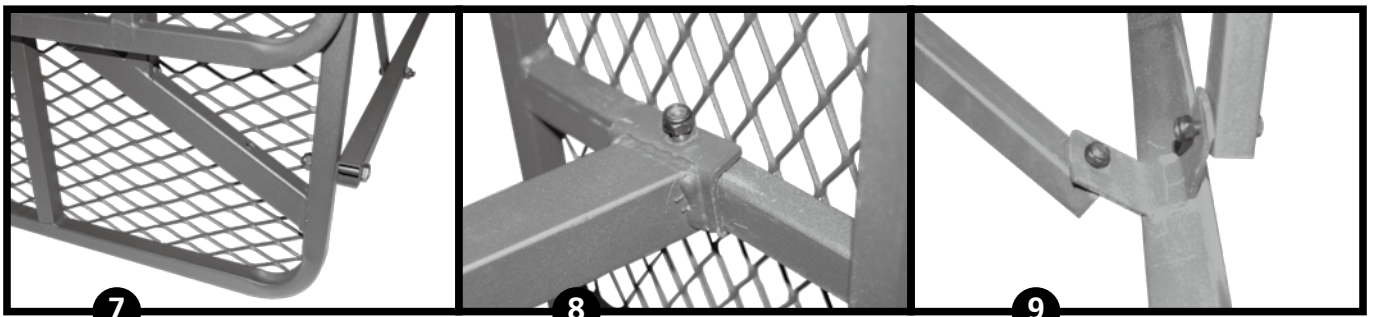
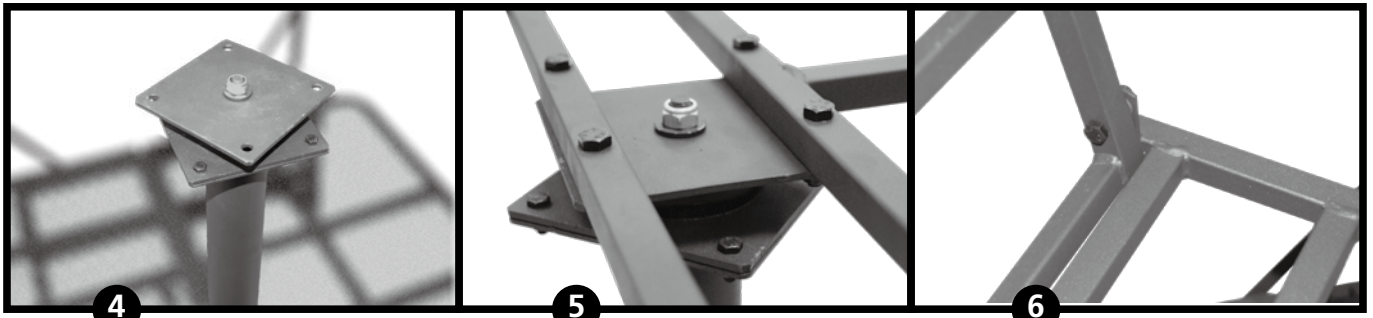
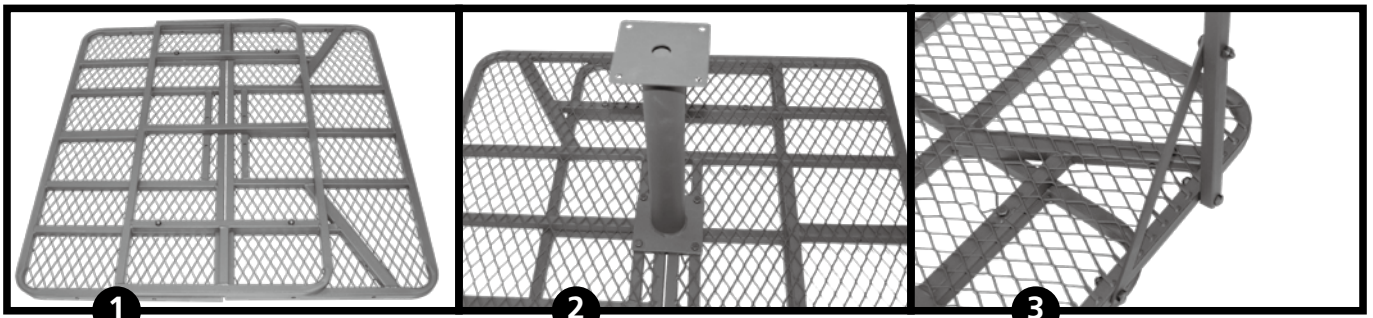
- Inspect ALL parts prior to leaving the ground.
- Always test/practice at ground level w/tripod until comfortable with use of products.
- Proper location/tightening of components is critical. Insure all components are properly tightened/secured and free of damage/wear prior to each use.

Thank you for purchasing the Command Tower. This instruction will tell you how to assemble and use the product. Every year hunters are seriously injured in tree stand accidents. Please carefully read and follow these instructions. For missing or damaged parts, please call customer service for fast service at 1-866-387-2002.

ASSEMBLY INSTRUCTIONS

Note: TOOLS REQUIRED: (2) 13mm Wrenches, (2) 10mm Wrenches

1. PLATFORM ASSEMBLY: Lay the Front Foot Platform (Item J) and the Rear Foot Platform (Item K) face down onto the mesh. Mate the flat ends of the platform(s) together. Next, lay the Subframe (Item L) onto both platforms and align the holes in the Subframe and the Front & Rear Platform. Fasten together using (4) 8mm x 2" bolts and (4) 8mm locknuts. Note: Insure the bolt heads are to the top or mesh side of the foot platforms. The Subframe is positioned between BOTH platforms. NOTE: DO NOT tighten any bolts/locknuts until the platform assembly is complete. (Fig. 1 & 2)
2. Rotate the platform so the mesh is facing upward. Next, attach the Rail Support Tubes (Item C) to the outside of the Foot Platform Assembly (Item J & K) and secure with (1) 8mm x 2" bolt and (1) 8mm locknut. Repeat for all (4) Support Tubes. Note: The short welded tube on the Support tube should be at the top and pointed AWAY from the center of the platform. Next, attach the Cross Brace(s) (Item I) to the OUTSIDE of the Foot Platform Assembly using (1) 8mm x 1-3/8" bolt and (1) 8mm locknut and attach the opposite end to the INSIDE of the Rail Support Tubes using (1) 8mm x 1-3/8" Bolts and (1) 8mm locknuts for each Support tube. (Fig. 3 & 7)
3. Assemble both ends of the Shooting Rail(s) (Item A) together with (1) Sleeve (Item B) between each Shooting Rail end and secure together using (2) 6mm x 1-1/8" bolts and (2) 6mm locknuts. Next, align holes in assembled Shooting Rail Assembly with hole(s) in the Rail Support Tubes (Item C) and secure using (4) 8mm x 2" bolts and (4) 8mm locknuts. Note: Keep the locknuts to the outside of the Rail Support Tube(s) to avoid catching your clothing. (Fig. 11 and also see packing illustration)
4. [Seat Sub-Assembly] Assemble the Seat Base (Item F) to the Seat Back (Item E) using (2) 8mm x 1-3/8" bolts and (2) 8mm locknuts with (2) 8mm nylon washer between both components. Next, assemble the Swivel Base (Item G) to the Seat Base using (4) 6mm x 1-1/8" bolts and (4) 6mm locknuts. NOTE: Insure that the large locknut on the Swivel Plate is facing UPWARD or below the seat cushion. Now, attach the Seat Assembly w/Swivel Plate to the Seat Pedestal (Item H) over the hole end of the Seat Pedestal using (4) 6mm x 5/8" bolts and (4) 6mm locknuts. Note: INSURE THE LOCKNUT ON THE SWIVEL PLATE IS SECURELY TIGHTENED. CHECK FREQUENTLY. This bolt will keep the sections from coming apart. Next, bolt the Seat Pedestal Assy. the the platform (in the center of platform) using (4) 8mm x 1-3/8" bolts and (4) 8mm locknuts. NOTE: The Seat Pedestal base is attached to both sections of the platform. (Fig. 4, 5, 6, & 11)
5. LEG ASSEMBLY: [Front Leg Assembly] Identify Top Step Leg (Item M) with a welded U-Plate on one end and Bottom Step Leg (Item N) with a welded foot plate at one end. Insure both sections are orientated correctly and secure both sections together with (2) Leg Link Brace(s)(Item S)(angled plates) to the outside of the joint and align holes. Fasten the Leg joint together using (4) 8mm x 2-1/8" bolt(s) and (4) 8mm locknuts. [Back Leg(s) Assembly] Identify the Top Leg (Item O) with welded U-Plate and Bottom Leg (Item P) with a welded foot plate and insure proper orientation of the foot plate in relation to the welded U-Plate on Leg Section. Note: Insure the Leg Sections are secured together correctly so that, when attached to foot platform, the foot plates will face AWAY from the platform area. Secure back Leg Sections together using (2) Leg Link Brace(s) and fasten together using (4) 8mm x 2-1/8" bolts and (4) 8mm locknuts. (Fig. 10)
6. [**This step requires at least 3 or more people and the use of a table/bench**] [Attaching Legs to Platform Assembly] Lay the Platform/Cage assembly on its side on a table or bench so that the single/front leg mounting tube location is sideways or parallel with the table/bench. The table/bench is required to assemble the leg sections onto the platform with the least amount of difficulty. With (3) or more people, insert the U-Plate end of the Front Leg Assembly over the mounting tube and align the holes and insert (1) 8mm x 2" bolt through the U-Plate and through the mounting tube in the foot platform and secure with (1) 8mm locknut. NOTE: Insure to have someone hold and support the leg while suspended. Next, attach the Rear Leg sections to the rear mounting tubes in the foot platform. Insert the u-plates and align the holes in both the U-Plate and mounting tube and secure with (1) 8mm x 2" bolt and (1) 8mm locknut on each rear Leg Section. NOTE: Insure ALL the foot pads on ALL leg assemblies are pointed outward. Insure to hold/support all the legs assemblies reducing the stress on the connection joints. (Fig. 7 & 8)
7. [Leave the unit on its side on the table or bench] Leg(s) Cross Support Assembly: Identify Upper Cross Support Tubes (Item Q) (1" Square Tube) and Lower Cross Support Tubes (Item R)(3/4" Square Tube). Insert (1) Lower Cross Support Tube(3/4") into (1) Upper Cross Support Tube(1"), align the hole(s) in both pieces and secure together using (1) 8mm x 1-3/8" bolt and (1) 8mm locknut. Repeat for remaining Cross Support Assemblies, (6) in total. On each Leg Assembly, there are (2) sets of welded "V" connections pads at the top and one near ground level. Attach (1) Cross Support Assembly (1" tube end) to the OUTSIDE of the top welded V connection pad. Note: Insure the Cross Support tube assembly(s) are mounted to the OUTSIDE of the welded "V" connections pads. Secure using (1) 8mm x 1-5/8" bolt and (1) 8mm locknut. Next, swing the Cross Support Assembly to the opposite LOWER OUTSIDE welded "V" connection and secure using (1) 8mm x 1-3/8" bolt and (1) 8mm locknut. Repeat for remaining Cross Support Assemblies. NOTE: The Cross Support Assemblies should form a "X" pattern on each side of the Leg Assemblies and the Cross Supports ALL are mounted to the OUTSIDE of the "V" connections. (Fig. 9)
8. Go back through and securely tighten all bolts and locknuts before raising the unit. Be careful not to over-tighten the bolts/locknuts in which the tubes become crushed or deformed.
9. Set-Up: With (3) or more people, carefully rotate the Tripod so that the Front Ladder Leg is pointed UPWARD. [Hint: Tie a rope to the Front Leg Section to aide in raising the unit] Next, with (1) or more people on each back leg section and (1) or more people pulling down on the rope tied off to the Front Ladder Leg, carefully raise the Tripod Assembly up until rests FLAT on the Foot Plates of the Leg Assemblies. NOTE: Do not allow the unit to slam against the ground during raising of the unit. Insure the ground under the stand is firm and level and the foot platform is level. Note: Impacting/slamming the unit will stress the unit and cause parts to bend. Thoroughly inspected the unit for any damage before climbing into the unit and insure all bolts/nuts have been tightly secured. Have (3) points of contact while leaning forward while you slowly climb into the unit. Inspect the unit for weathering, wear, damage, connection of "X" brace and leg sections prior to each use/before leaving the ground. Maintain position near the center of the platform and avoid standing near the edge of the platform. NEVER use any type of motor vehicle or mechanical device to raise or move this unit. Insure the ground under the foot plates are firm and level before leaving the ground. It is required to stake the foot plates or secure the platform to the ground by means of a tie down kit (neither provided with this unit) before using this unit. Do not use this product in adverse weather/high winds/ice/rain/lightening is present. Inspect this product fully including all leg connections, bolts, and ground beneath the foot plates prior to each use and before leaving the ground. Do not use this product if it is showing any signs of wear or deterioration or suspect any part of wear or deterioration. This also includes not using this unit if there are any parts missing or stolen from this product. ALWAYS use good judgement before each use of this product.



WARNING

- Inspect ALL parts prior to leaving the ground.
- Always test/practice at ground level w/tripod until comfortable with use of products.
- Proper location/tightening of components is critical. Insure all components are properly tightened/secured and free of damage/wear prior to each use.
- It is required to stake/tie-down this unit to the ground properly to prevent movement in the tripod assembly during use or due to high winds. Tie-Down Kits are sold separately.
- Replace ALL straps (ratchet/button/stabilizing) annually and ALL Hardware (bolts/nuts/cables) every (2) years. Use only Big Dog Treestands certified replacement parts/components, all others are viewed as a modification to the product. Frequently lubricate all hardware/parts or as needed.
- Inspect/Insure ground under the Foot Plates is firm/level and all sections are connected/bolted together are secured properly prior to each use and prior to leaving the ground. Do not use if sections are separated or loose.
- It is advisable to have a certified electrician ground this unit to the ground in the event of being struck by lightning.

SAFETY WARNINGS

Please Read/Understand ALL Safety Warnings prior to each use and always practice at ground level First!

ALWAYS

- Read and Understand ALL instructions and warning pages thoroughly before using your Fall Arrest System (FAS), treestand, ratchet/stabilizing straps/ropes and climbing devices prior to each use. Replace suspected or damaged components with only factory authorized parts and components. Discontinue use if any part of your product/FAS shows weathering or wear. ALWAYS inspect/check ALL expiration dates/tags on all straps/FAS prior to each use.
- Practice using the treestand and FAS at ground level until comfortable with safe/proper use of both products prior to each use.
- Insure that your Fall Arrest System (FAS), treestand, tree straps and climbing devices are in good working order without defects, wear, broken or missing parts before each use. This inspection includes the following prior to each use: Retightening all hardware, inspecting all components made of metallic and non-metallic items which includes straps/ropes/seats/FAS for excessive wear or damage before using any products.
- Always wear a Fall Arrest System properly attached to the tree from the time you leave the ground until the time you return to the ground. Keep the tether strap between you and the tree as short as possible to reduce the distance in case of a fall. Keep the linesman strap tight on the tree while you ascend or descend from the tree. The FAS tether must be tight while in a seated position.
- Practice your Recovery/Rescue/Relief plan with your (FAS) at ground level before using in an elevated position prior to each use.
- Step down into the center of the platform from your climbing aide while being attached to the tree with your FAS by either the tether strap or linemans strap. Position your fixed position stand below the end of your climbing aide to allow you to step down safely into the center of the platform.
- Store your Fall Arrest System (FAS), treestand, straps/ropes, complete set of instructions/warnings and climbing devices in a cool/dry location away from sun light, weathering, sharp objects or any type of wildlife. NOTE: Wildlife may chew on straps/seats while the stand is not in use and may cause serious damage. Check ALL straps and seats prior to each use. Review all warnings/instructions annually and prior to each use of the products.
- Hunt with a friend/partner to ensure that someone knows your hunting location as well as the time you are due to return home or to camp. Practice a safe recovery/rescue/relief plan with your FAS and treestand at ground level prior to each use.
- Before each use, insure that all ladder sections are secured/pinned together, all straps and ropes are free of damage or wear, ground beneath the ladder or foot pads is firm and level, adjustable support bar is attached and secured properly to the tree and the criss-cross ropes are secured properly before each use. Do not use if sections are separated or if there is any visible wear or damage present on treestand, straps, ropes or FAS.
- Take your time and move slowly at all times that while you are using, climbing to, or descending from your treestand. Use 3 Point Climbing Technique while ascending to or descending from this product while using your Fall Arrest System (FAS) at all times. Never lean backwards while climbing.
- Use (3) or more people to set-up or removal of any treestand unless instructed to have more people present. Use a min. 12" diameter straight/healthy tree on ALL treestands.
- Use a hoist line to pull fixed position stand(s) up to the positioning height below the end of the climbing aide while attached to the tree with climbing belt of your FAS.
- Understand the intended use for the treestand/FAS and adhere to all instructions/warnings which pertain to the safe use of Big Dog Treestands products.
- Have a cell phone, walkie-talkie, two-way radio, GPS locator or whistle on your person at all times for emergency purposes and ALWAYS inform someone of your hunting location and return time in the event of an emergency. Always practice/review your rescue/recover/relief plan prior to each use.
- There is time to make a correct decision on what action to take if a fall occurs while wearing a full body harness. It is important to remember, "DO NOT PANIC". Remain calm and implement your practiced rescue, relief and recovery plan.

NEVER

- Leave the ground without properly wearing your FAS harness and being properly attached to the tree from the time you leave the ground until you return to the ground. Failure to wear FAS or FAS not attached to the tree properly could result in serious injury or death. If FAS is not present, do not leave the ground. Single safety belts straps and chest harnesses ARE NO LONGER ALLOWED AND SHOULD NEVER BE USED.
- Climb with your weapon. Ensure that the firearm/bow is unloaded with its barrel pointed toward the ground when raising or lowering it to your stand. Always use a safe hoist/lift system on the opposite side of the tree from which you climbed while attached safely to the tree with your FAS.
- Climb with anything on your back/waist/or side that will restrict your movement or will interfere with safely using your FAS harness or treestand.
- Exceed the manufacturer's total weight limit for the product which includes your body weight plus the weight of your clothing/gear.
- Adjust ANY straps/ropes/adjustable support bars while standing on or leaning against any treestand nor use if any are not present or show damage or wear.
- Use this product if you are under the influence of alcohol, mind-altering drugs, prescription medicine, cold or flu medications, have heart problems or conditions, dizzy or have dizzy spells, sleepy or tired, afraid of heights, physically/mentally impaired to use product properly/safely, feeling ill, nauseous, if Fall Arrest System is not present, or if you have a prior medical condition that could cause a problem i.e. heart condition, joints that lock-up, spinal fusions, etc or if you are not well rested. Do not use any product without consent from your doctor for safe & proper use.
- Modify your stand in any way by repairs, replacing parts, or alternating or adding attachments to it except if explicitly authorized in writing by manufacturer.
- Replace parts/add attachments/adjust platform/make repairs unless the product is at GROUND LEVEL only.
- Exceed/modify the suggested manufacturer's hunting height for any product.
- Jump, bounce, lean-out from, lean against shooting rails or SLEEP in any treestand for any reason at any time.
- Leave any treestand attached to the tree more than (2) two weeks. Tree growth will stress the straps to the point of a possible failure that could result in serious bodily injury or death.
- Use any treestand during thunderstorm/raining/sleet/snow storms or any other adverse weather conditions that have the potential to produce lightning, high winds, or if snow/ice/water is present on the platform or climbing steps. If inclement conditions arise, end your hunt and return the ground.
- Use a tree stand for any purpose other than hunting. Do not use on utility poles or any other man made structures.
- Loan or let anyone use the treestand or FAS Harness without reading/understanding all product instructions/warnings of the product(s). If sold, a complete set of instructions/warnings must be given to purchaser. It is responsibility of the treestand/FAS owner to insure the borrower or buyer furnishes a complete set of instructions and safety warnings.
- Make any modifications/alterations to this product without written consent. Any/All modifications/alterations will void all warranties and relieve Big Dog Treestands Inc. from all liabilities.
- Climb/Use a tree that is diseased, dead, under sized, leaning, has dead/broken branches/loose bark.
- Stand on the seat/footrest/shooting rail/armrest or rely on any branches for support or means of securing or standing.

WARNING

- Failure to Read/Understand ALL Warnings and Instructions stated could result in serious bodily injury or death. Use of an approved FAS is required to be used at all times when hunting from an elevated position.
- You must replace ALL straps (ratchet, button, stabilizing straps/ropes, etc) and suspension seats EVERY year. Use only Big Dog replacement straps and parts. Any other straps or parts will be viewed as a modification to the product. Any modification will void the warranties and relieve Big Dog Treestands Inc. from all liabilities.
- ALWAYS inspect treestand/straps/cables/FAS/ if ladder sections are pinned together/ground beneath the ladder stand is firm and level/adjustable support bar is connected to the tree properly prior to each use. Do not use if ANY physical/visible damage/wear is suspected or present.
- It is recommended that you oil/lubricate ALL hardware as needed or at least annually. It is recommended that you replace all hardware/cables/nuts/bolts/clips on your tree stand every two years or sooner if inspection finds it necessary.
- Failure to use a Fall Arrest System (FAS) at ALL times could result in serious bodily injury or death.
- Insure ALL contact points of the treestands and FAS are in contact with the tree and are secured properly before climbing onto the platform or leaving the ground.
- Proper threading/tightening/fastening/location of all straps/cables are CRITICAL. Insure all straps/cables are properly attached/fastened/secured/located on the tree and are free of damage/wear/ weathering/deterioration prior to each use.
- Inspect all expiration tags on all straps and FAS prior to each use. Replace all straps annually. Replace all hardware every (2) years. Use only Big Dog Treestands certified replacement parts, all other are viewed as a modification to the product. Never use any strap(s) or FAS that has expired or showing any damage or wear.
- Always use a haul line while attached to the tree with your FAS by means of the linemans strap/ climbing belt to pull up or take down all fixed position stands.
- Insure all Tripods and Quadpods are properly staked to the ground to prevent movement in the unit in high winds. Note: It is advisable to have a certified electrician ground these unit(s) to the ground in the event of being struck by lightning.